

ДЕТАЛИРОВКА И СПИСОК ЗАПЧАСТЕЙ
НАКОПИТЕЛЬНЫЙ ВОДОНАГРЕВАТЕЛЬ

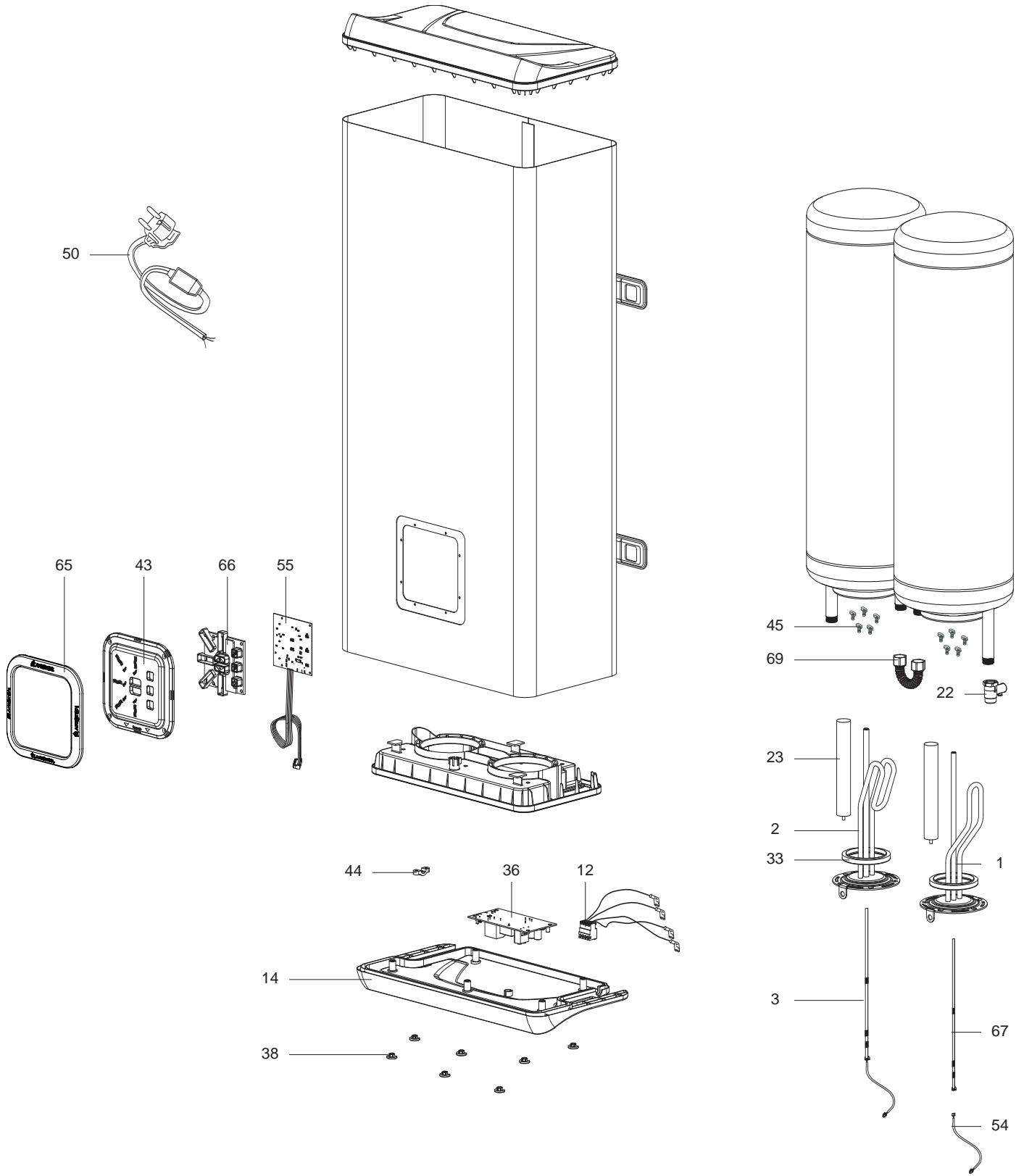
SPARE PARTS EXPLODED VIEW
STORAGE ELECTRIC WATER HEATERS

Model

ABS VLS PW

R8216519-01EN - Edition 01 - 17/02/2010

360 5208		ABS VLS PW30
370 0235		ABS VLS PW30
360 5209		ABS VLS PW50
370 0236		ABS VLS PW50
360 5210		ABS VLS PW80
370 0237		ABS VLS PW80
360 5211		ABS VLS PW100
370 0238		ABS VLS PW100
Reference	Ind.	Model type	Begin	End



Key№ / Позиция№	Description	Наименование	Code/Код	Type/Тип	30	50	80	100	From / Начиная с	To / До
04 06 2010		Редакция 01								
0001	HEATING ELEMENT 1000W 230V	ТЭН 1000Вт 230В	65151226		*	*	*	*		
0002	HEATING ELEMENT 1500W 230V	ТЭН 1500Вт 230В	65151227		*	*	*	*		
0003	WIRED NTC PROBE 1500W H.E.	Зонд NTC к ТЭНу 1500Вт с проводом	65151229		*	*	*	*		
0012	WIRE HARNESS	Кабельная разводка	65151231		*	*	*	*		
0014	BOTTOM PLASTIC COVER	Нижняя пластиковая крышка	65151221		*	*	*	*		
0022	SAFETY VALVE	Предохранительный клапан	65150037		*	*	*	*		
0023	MAGNESIUM ANODE D=25,5x190 M5	Магниевый анод D=25,5x190 M5	65150086				*	*		
	MAGNESIUM ANODE D=22x110 M5	Магниевый анод D=22x110 M6	65151186		*	*				
0033	FLANGE GASKET FOR 5 BOLTS	Прокладка 5-ти болтового фланца	65150952		*	*	*	*		
0036	POWER BOARD	Электронная плата	65151230		*	*	*	*		
0038	SCREW COVER	Заглушки винтов	65151223		*	*	*	*		
0043	CONTROL PANEL	Дисплей	65151232		*	*	*	*		
0044	CABLE CLAMP	Держатель шнура	573266		*	*	*	*		
0045	SCREW M6x20	Винт M6x20	65151225		*	*	*	*		
0050	POWER CABLE WITH ELCB	Кабель с УЗО	65150965		*	*	*	*		
0054	WIRE FOR NTC PROBE 1000W H.E.	Провод для зонда NTC к ТЭНу 1000Вт	65150926		*	*	*	*		
0055	CONTROL BOARD	Управляющая плата	65151234		*	*	*	*		
0065	FRONT COVER BOARD	Рамка дисплея	65151222		*	*	*	*		
0066	KEYBOARD	Клавиатура	65151233		*	*	*	*		
0067	NTC PROBE 1000W H.E.	Зонд NTC к ТЭНу 1000Вт	65151228		*	*	*	*		
0069	BY-PASS CONNECTION	Переходник	65151224		*	*	*	*		

R8222718

LIST OF THE ABBREVIATIONS

HW	: Hot water.
CW	: Cold water.
C	: Ceramic resistance (normal heating).
Ca	: Ceramic resistance (accelerated heating)
TP	: Immersion heater.
1F	: With fittings.
2F	: Without fittings.
3F	: With fittings and another outlet connection.
AMI	: With mixing valve.
SMI	: Without mixing valve.
PUISS	: Power of th appliance.
PN	: Appliance with normal pression.
LP	: Appliance with low pression.
PV	: Appliance with variable power.
PF	: Appliance with fixed power..

IDENTIFICATION PLATE

SERIAL NUMBER

Ex: 03 09 08 (Until 12/06)
 Year of manufacture | Manufacturing day
 Month of manufacture : from 1 to 12 → January to December

Ex: 02 11 00001 007843 OR
 Year of manufacture | Product reference
 Month of manufacture | Sequentiel number

Ex: 3200050 XX 070115 0000001 (From 01/07)
 Product reference | Sequentiel number
 Year (07) / Month (01) / Manufacture day (15)

Ex: 3200050 XX 08115 0000001 OR
 Product reference | Sequentiel number
 Year (08) / Manufacturing day. Ex: 115th day of the year

The indications mentioned on the prices, commercial or technical literature and the scheme are written for your guidance and are available at a given time. The CONSTRUCTOR retains the power to modify the presentation, the form, the size, the conception or the material of the products.